

Message Implementation Guideline

INVRPT96_Media_Saturn

based on

INVRPT

Inventory report message

EANCOM D.96A

Version: v1.5
Variant: MS
Issue date: 01.09.2017
Author: Robert Senner

Table of Contents

0 History of Changes.....	3
1 Message Structure.....	4
2 Branching Diagram	5
3 Segments	9
4 Example	27

History of Changes

Version	Date	Subject	Content / Trigger of Change	Responsible Person
1.0	08.05.2013	initial	n.a.	Gertrud Fusenig (SA2)
1.1	03.06.2013	Change	Review	Robert Senner
1.2	05.08.2013	Change	added PRI+AAF	Robert Senner
1.3	10.10.2013	Change	Harmonization	Robert Senner
1.4	13.10.2016	Change	added SG1 RFF+ZZZ and SG1 RFF+API, corrected SG11 QTY qualifier	Robert Senner
1.5	01.09.2017	Change	added comment for SG11 QTY+21 (outstanding quantity)	Robert Senner

No = Consecutive segment number

St = Status

EDIFACT: M=Mandatory, C=Conditional

User specific: R=Required, O=Optional, D=Dependent,

A=Advised, N=Not used

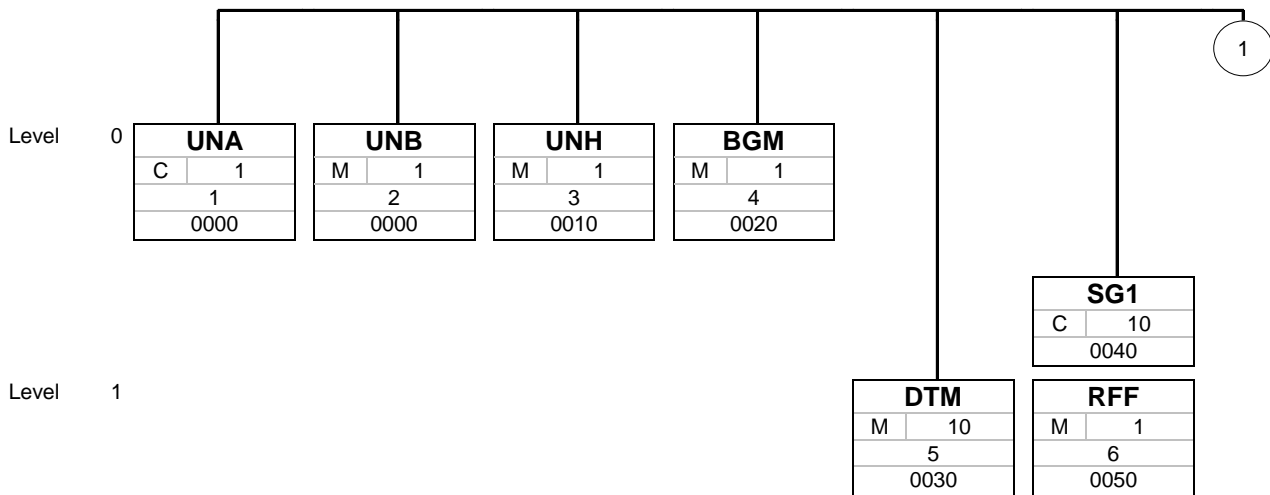
Structure / Table of Contents

Counter	No	Tag	St	MaxOcc	Level	Content
0000	1	UNA	C	1	0	SERVICE STRING ADVICE
0000	2	UNB	M	1	0	INTERCHANGE HEADER
0010	3	UNH	M	1	0	MESSAGE HEADER
0020	4	BGM	M	1	0	Beginning of message
0030	5	DTM	M	10	1	Date/time/period
0040		SG1	C	10	1	RFF
0050	6	RFF	M	1	1	Reference
0070		SG2	C	20	1	NAD
0080	7	NAD	M	1	1	Name and address
0160		SG5	C	5	1	CUX
0170	8	CUX	M	1	1	Currencies
0280		SG9	C	9999	1	LIN-PIA-IMD-SG11-SG11
0290	9	LIN	M	1	1	Line item
0300	10	PIA	C	10	2	Additional product id
0310	11	IMD	C	10	2	Item description
0390		SG11	C	9999	2	QTY
0400	12	QTY	M	1	2	Quantity
0390		SG11	C	9999	2	QTY-LOC-DTM-SG13
0400	13	QTY	M	1	2	Quantity
0430	14	LOC	C	5	3	Place/location identification
0440	15	DTM	C	5	3	Date/time/period
0490		SG13	C	5	3	PRI
0500	16	PRI	M	1	3	Price details
0670	17	UNT	M	1	0	MESSAGE TRAILER
0000	18	UNZ	M	1	0	INTERCHANGE TRAILER

Counter = Counter of segment/group within the standard
 No = Consecutive segment number
 MaxOcc = Maximum occurrence of the segment/group

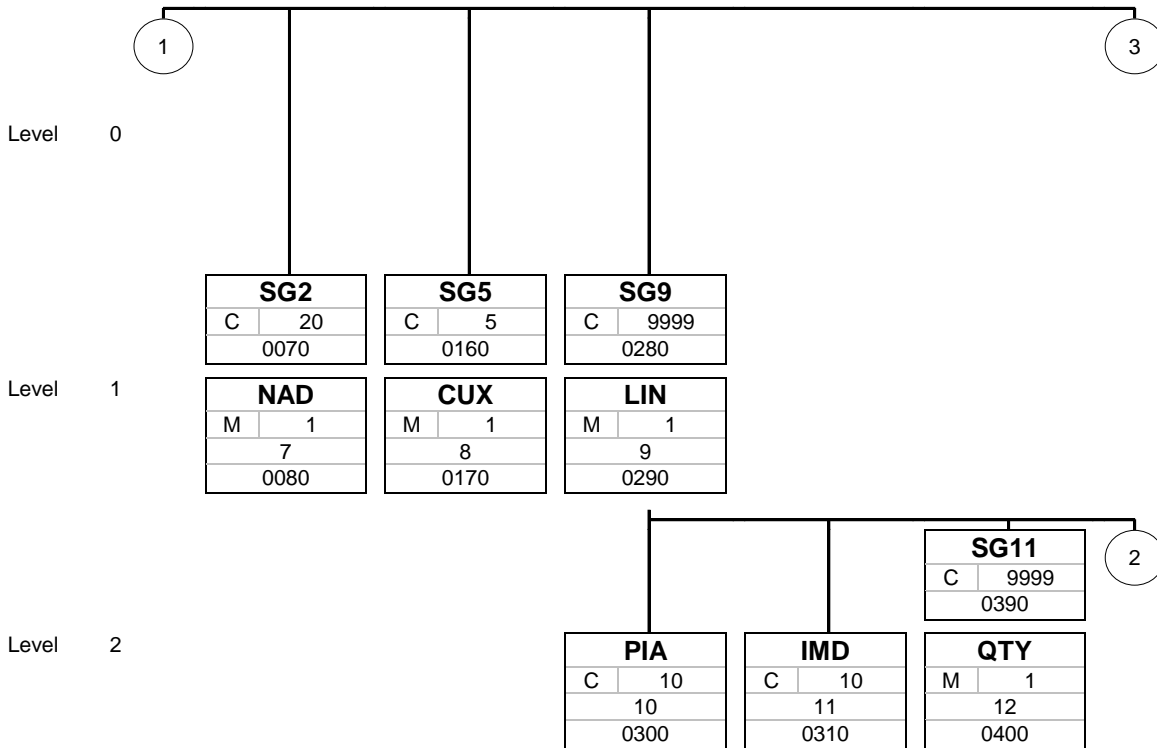
St = Status
 EDIFACT: M=Mandatory, C=Conditional
 User specific: R=Required, O=Optional, D=Dependent,
 A=Advised, N=Not used

Branching Diagram of Used Segments/Groups



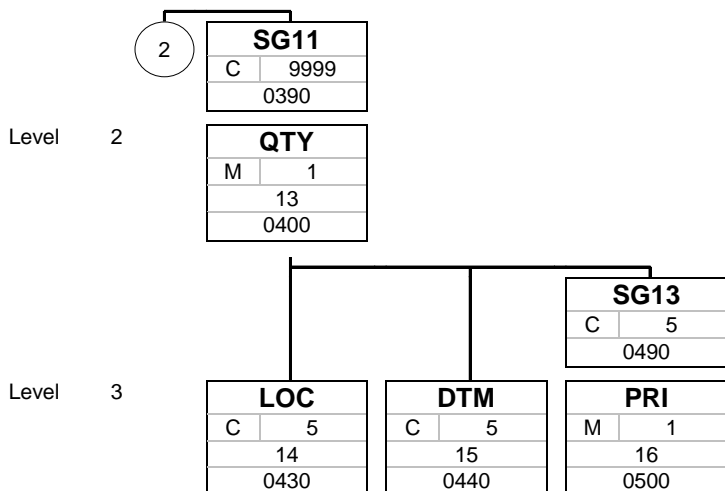
Tag
St MaxOcc
No
Counter

Tag = Segment/Group Tag
 St = Status (M=Mandatory, C=Conditional, R=Required, O=Optional, A=Advised, D=Dependent)
 MaxOcc = Maximum occurrence of the segment/group
 No = Consecutive segment number
 Counter = Counter of segment/group within the standard



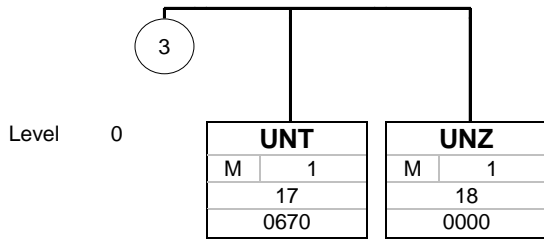
Tag
St MaxOcc
No
Counter

Tag = Segment/Group Tag
 St = Status (M=Mandatory, C=Conditional, R=Required, O=Optional, A=Advised, D=Dependent)
 MaxOcc = Maximum occurrence of the segment/group
 No = Consecutive segment number
 Counter = Counter of segment/group within the standard



Tag
St MaxOcc
No
Counter

Tag = Segment/Group Tag
 St = Status (M=Mandatory, C=Conditional, R=Required, O=Optional, A=Advised, D=Dependent)
 MaxOcc = Maximum occurrence of the segment/group
 No = Consecutive segment number
 Counter = Counter of segment/group within the standard



Tag
St MaxOcc
No
Counter

Tag = Segment/Group Tag
 St = Status (M=Mandatory, C=Conditional, R=Required, O=Optional, A=Advised, D=Dependent)
 MaxOcc = Maximum occurrence of the segment/group
 No = Consecutive segment number
 Counter = Counter of segment/group within the standard

Counter	No	Tag	St	MaxOcc	Level	Name
0000	2	UNB	M	1	0	INTERCHANGE HEADER

		Standard	BSH Implementation		
Tag	Name	St Format	St Format	Usage / Remark	
UNB					
S001	SYNTAX IDENTIFIER	M	M		
0001	Syntax identifier	M a4	M a4	UNOC (DE,AT,CH,NL,BE,LU,ES,PT,SE) UNOD (PL,HU) UNOE (RU) UNOF (GR)	
0002	Syntax version number	M n1	M n1		
S002	INTERCHANGE SENDER	M	M		
0004	Sender identification	M an..35	M an..35		
0007	Partner identification code qualifier	C an..4	C an..4	14	
0008	Address for reverse routing	C an..14	N	Not used	
S003	INTERCHANGE RECIPIENT	M	M		
0010	Recipient identification	M an..35	M an..35		
0007	Partner identification code qualifier	C an..4	C an..4	14	
0014	Routing address	C an..14	N	Not used	
S004	DATE/TIME OF PREPARATION	M	M		
0017	Date of preparation	M n6	M n6		
0019	Time of preparation	M n4	M n4		
0020	Interchange control reference	M an..14	M an..14		
S005	RECIPIENT'S REFERENCE PASSWORD	C	N		
0022	Recipient's reference/password	M an..14	N	Not used	
0025	Recipient's reference/password qualifier	C an2	N	Not used	
0026	Application reference	C an..14	N	Not used	
0029	Processing priority code	C a1	N	Not used	
0031	Acknowledgement request	C n1	N	Not used	
0032	Communications agreement ID	C an..35	N	Not used	
0035	Test indicator	C n1	N	Not used	

Remark:

Example:

UNB+UNOC:3+X:14+X:14+130424:0958+X'
UNB+UNOC:3+1111111111111111:14+2222222222222222:14+100520:1200+201305200001'

No = Consecutive segment number
MaxOcc = Maximum occurrence of the segment/group
Counter = Counter of segment/group within the standard

St = Status
EDIFACT: M=Mandatory, C=Conditional
User specific: R=Required, O=Optional, D=Dependent,
A=Advised, N=Not used

Counter	No	Tag	St	MaxOcc	Level	Name
0010	3	UNH	M	1	0	MESSAGE HEADER

Standard			BSH Implementation		
Tag	Name	St Format	St Format	Usage / Remark	
UNH					
0062	Message reference number	M an..14	M an..14		
S009	MESSAGE IDENTIFIER	M	M		
0065	Message type identifier	M an..6	M an..6	INVRPT	
0052	Message type version number	M an..3	M an..3		
0054	Message type release number	M an..3	M an..3		
0051	Controlling agency	M an..2	M an..2	UN	
0057	Association assigned code	C an..6	C an..6		
0068	Common access reference	C an..35	N	Not used	
S010	STATUS OF THE TRANSFER	C	N		
0070	Sequence message transfer number	M n..2	N	Not used	
0073	First/last sequence message transfer indication	C a1	N	Not used	

Remark:

Example:

UNH+1+INVRPT:D:96A:UN:EAN004'
UNH+1+INVRPT:D:96A:UN:EAN004'

No = Consecutive segment number
MaxOcc = Maximum occurrence of the segment/group
Counter = Counter of segment/group within the standard

St = Status
EDIFACT: M=Mandatory, C=Conditional
User specific: R=Required, O=Optional, D=Dependent,
A=Advised, N=Not used

Counter	No	Tag	St	MaxOcc	Level	Name
0020	4	BGM	M	1	0	Beginning of message

Standard			BSH Implementation	
Tag	Name	St Format	St Format	Usage / Remark
BGM				
C002	Document/message name	C	C	
1001	Document/message name, coded	C an..3	C an..3	11 Inventory report
1131	Code list qualifier	C an..3	N	Not used
3055	Code list responsible agency, coded	C an..3	N	Not used
1000	Document/message name	C an..35	N	Not used
1004	Document/message number	C an..35	C an..35	
1225	Message function, coded	C an..3	C an..3	9 Original
4343	Response type, coded	C an..3	N	Not used

Remark:**Example:**

BGM+35+X+9'

BGM+11+1234567+9'

No = Consecutive segment number
 MaxOcc = Maximum occurrence of the segment/group
 Counter = Counter of segment/group within the standard

St = Status
 EDIFACT: M=Mandatory, C=Conditional
 User specific: R=Required, O=Optional, D=Dependent,
 A=Advised, N=Not used

Counter	No	Tag	St	MaxOcc	Level	Name
0030	5	DTM	M	10	1	Date/time/period

Standard			BSH Implementation	
Tag	Name	St Format	St Format	Usage / Remark
DTM				
C507	Date/time/period	M	M	
2005	Date/time/period qualifier	M an..3	M an..3	366 Inventory report date 273 Validity period
2380	Date/time/period	C an..35	C an..35	
2379	Date/time/period format qualifier	C an..3	C an..3	101 YYMMDD 102 CCYYMMDD 718 CCYYMMDDCCYYMMDD

Remark:

Example:

DTM+366:20130505:101'
 DTM+366:20130520:102'
 DTM+273:2013052020130620:718'

No = Consecutive segment number
 MaxOcc = Maximum occurrence of the segment/group
 Counter = Counter of segment/group within the standard

St = Status
 EDIFACT: M=Mandatory, C=Conditional
 User specific: R=Required, O=Optional, D=Dependent,
 A=Advised, N=Not used

Counter	No	Tag	St	MaxOcc	Level	Name
0040		SG1	C	10	1	RFF
0050	6	RFF	M	1	1	Reference

Standard			BSH Implementation	
Tag	Name	St Format	St Format	Usage / Remark
RFF				
C506	Reference	M	M	
1153	Reference qualifier	M an..3	M an..3	ZZZ Mutually defined reference number API Additional party identification (original report name)
1154	Reference number	C an..35	C an..35	
1156	Line number	C an..6	N	Not used
4000	Reference version number	C an..35	N	Not used

Remark:

This segment is used to provide references for the entire message.

All references should normally be given within this segment if they apply to the whole transaction.

Example:**Example:**

RFF+ZZZ:DE'

RFF+ZZZ:PL'

RFF+API:SAMSUNG_DE'

No = Consecutive segment number
 MaxOcc = Maximum occurrence of the segment/group
 Counter = Counter of segment/group within the standard

St = Status
 EDIFACT: M=Mandatory, C=Conditional
 User specific: R=Required, O=Optional, D=Dependent,
 A=Advised, N=Not used

Counter	No	Tag	St	MaxOcc	Level	Name
0070		SG2	C	20	1	NAD
0080	7	NAD	M	1	1	Name and address

		Standard	BSH Implementation		
Tag	Name	St Format	St Format	Usage / Remark	
NAD					
3035	Party qualifier	M an..3	M an..3	CO Corporate office (Mandatory) SU Supplier (Mandatory)	
C082	Party identification details	C	C		
3039	Party id. identification	M an..35	M an..35		
1131	Code list qualifier	C an..3	N	Not used	
3055	Code list responsible agency, coded	C an..3	C an..3	9 EAN (International Article Numbering Association)	
C058	Name and address	C	N		
3124	Name and address line	M an..35	N	Not used	
3124	Name and address line	C an..35	N	Not used	
3124	Name and address line	C an..35	N	Not used	
3124	Name and address line	C an..35	N	Not used	
3124	Name and address line	C an..35	N	Not used	
C080	Party name	C	C		
3036	Party name	M an..35	M an..35		
3036	Party name	C an..35	N	Not used	
3036	Party name	C an..35	N	Not used	
3036	Party name	C an..35	N	Not used	
3036	Party name	C an..35	N	Not used	
3036	Party name	C an..35	N	Not used	
3045	Party name format, coded	C an..3	N	Not used	
C059	Street	C	N		
3042	Street and number/p.o. box	M an..35	N	Not used	
3042	Street and number/p.o. box	C an..35	N	Not used	
3042	Street and number/p.o. box	C an..35	N	Not used	
3042	Street and number/p.o. box	C an..35	N	Not used	
3164	City name	C an..35	N	Not used	
3229	Country sub-entity identification	C an..9	N	Not used	
3251	Postcode identification	C an..9	N	Not used	
3207	Country, coded	C an..3	N	Not used	

Remark:

Example:

NAD+CO+X::9+X'
 NAD+CO+11111111111111111111::9++MEDIA-SATURN'
 NAD+SU+2222222222222222::9'

No = Consecutive segment number
 MaxOcc = Maximum occurrence of the segment/group
 Counter = Counter of segment/group within the standard

St = Status
 EDIFACT: M=Mandatory, C=Conditional
 User specific: R=Required, O=Optional, D=Dependent,
 A=Advised, N=Not used

Counter	No	Tag	St	MaxOcc	Level	Name
	0160	SG5	C	5	1	CUX
	0170	8	CUX	M	1	Currencies

Standard			BSH Implementation	
Tag	Name	St Format	St Format	Usage / Remark
CUX				
C504	Currency details	C	C	
6347	Currency details qualifier	M an..3	M an..3	
6345	Currency, coded	C an..3	N	Not used
6343	Currency qualifier	C an..3	N	Not used
6348	Currency rate base	C n..4	N	Not used
C504	Currency details	C	N	
6347	Currency details qualifier	M an..3	N	Not used
6345	Currency, coded	C an..3	N	Not used
6343	Currency qualifier	C an..3	N	Not used
6348	Currency rate base	C n..4	N	Not used
5402	Rate of exchange	C n..12	N	Not used
6341	Currency market exchange, coded	C an..3	N	Not used

Remark:

This segment is used to specify the currencies in which prices in the Inventory Report are quoted. The CUX segment may be omitted for national exchanges.

The CUX segment is mandatory for international exchanges when valuing inventories.

When specifying reference and target currencies for international trade, one occurrence of CUX is all that is required. The reference currency is identified in the first occurrence of the composite C504, with the target currency specified in the second occurrence of C504. The rate of exchange between the two is detailed in DE 5402.

Example:

CUX+2'

No = Consecutive segment number
 MaxOcc = Maximum occurrence of the segment/group
 Counter = Counter of segment/group within the standard

St = Status
 EDIFACT: M=Mandatory, C=Conditional
 User specific: R=Required, O=Optional, D=Dependent,
 A=Advised, N=Not used

Counter	No	Tag	St	MaxOcc	Level	Name
0280		SG9	C	9999	1	LIN-PIA-IMD-SG11
0290	9	LIN	M	1	1	Line item

Standard			BSH Implementation	
Tag	Name	St Format	St Format	Usage / Remark
LIN				
1082	Line item number	C n..6	C n..6	
1229	Action request/notification, coded	C an..3	N	Not used
C212	Item number identification	C	C	
7140	Item number	C an..35	C an..35	
7143	Item number type, coded	C an..3	C an..3	EN International Article Numbering Association (EAN)
1131	Code list qualifier	C an..3	N	Not used
3055	Code list responsible agency, coded	C an..3	N	Not used
C829	Sub-line information	C	N	
5495	Sub-line indicator, coded	C an..3	N	Not used
1082	Line item number	C n..6	N	Not used
1222	Configuration level	C n..2	N	Not used
7083	Configuration, coded	C an..3	N	Not used

Remark:

Example:

LIN+9++4444444444444444:EN'
LIN+1++4444444444444444:EN'

No = Consecutive segment number
MaxOcc = Maximum occurrence of the segment/group
Counter = Counter of segment/group within the standard

St = Status
EDIFACT: M=Mandatory, C=Conditional
User specific: R=Required, O=Optional, D=Dependent,
A=Advised, N=Not used

Counter	No	Tag	St	MaxOcc	Level	Name
	0280	SG9	C	9999	1	LIN-PIA-IMD-SG11
	0300	PIA	C	10	2	Additional product id

Standard			BSH Implementation	
Tag	Name	St Format	St Format	Usage / Remark
PIA				
4347	Product id. function qualifier	M an..3	M an..3	5 Product identification
C212	Item number identification	M	M	
7140	Item number	C an..35	C an..35	
7143	Item number type, coded	C an..3	C an..3	BP Buyer's part number
1131	Code list qualifier	C an..3	N	Not used
3055	Code list responsible agency, coded	C an..3	N	Not used
C212	Item number identification	C	N	
7140	Item number	C an..35	N	Not used
7143	Item number type, coded	C an..3	N	Not used
1131	Code list qualifier	C an..3	N	Not used
3055	Code list responsible agency, coded	C an..3	N	Not used
C212	Item number identification	C	N	
7140	Item number	C an..35	N	Not used
7143	Item number type, coded	C an..3	N	Not used
1131	Code list qualifier	C an..3	N	Not used
3055	Code list responsible agency, coded	C an..3	N	Not used
C212	Item number identification	C	N	
7140	Item number	C an..35	N	Not used
7143	Item number type, coded	C an..3	N	Not used
1131	Code list qualifier	C an..3	N	Not used
3055	Code list responsible agency, coded	C an..3	N	Not used

Remark:

Example:

PIA+5+X:BP'
PIA+5+82341255:BP'

No = Consecutive segment number
MaxOcc = Maximum occurrence of the segment/group
Counter = Counter of segment/group within the standard

St = Status
EDIFACT: M=Mandatory, C=Conditional
User specific: R=Required, O=Optional, D=Dependent,
A=Advised, N=Not used

Counter	No	Tag	St	MaxOcc	Level	Name
0280		SG9	C	9999	1	LIN-PIA-IMD-SG11
0310	11	IMD	C	10	2	Item description

Standard			BSH Implementation	
Tag	Name	St Format	St Format	Usage / Remark
IMD				
7077	Item description type, coded	C an..3	C an..3	F Free form A Free-form long description
7081	Item characteristic, coded	C an..3	N	Not used
C273	Item description	C	C	
7009	Item description identification	C an..17	N	Not used
1131	Code list qualifier	C an..3	N	Not used
3055	Code list responsible agency, coded	C an..3	N	Not used
7008	Item description	C an..35	C an..35	
7008	Item description	C an..35	N	Not used
3453	Language, coded	C an..3	N	Not used
7383	Surface/layer indicator, coded	C an..3	N	Not used

Remark:

Example:

IMD+A++++:X'
IMD+F++++:DWH article description'

No = Consecutive segment number
MaxOcc = Maximum occurrence of the segment/group
Counter = Counter of segment/group within the standard

St = Status
EDIFACT: M=Mandatory, C=Conditional
User specific: R=Required, O=Optional, D=Dependent,
A=Advised, N=Not used

Counter	No	Tag	St	MaxOcc	Level	Name
0390		SG11	C	9999	2	QTY
0400	12	QTY	M	1	2	Quantity

Standard			BSH Implementation	
Tag	Name	St Format	St Format	Usage / Remark
QTY				
C186	Quantity details	M	M	
6063	Quantity qualifier	M an..3	M an..3	145 Actual stock (Mandatory) 156 Inventory movement quantity
6060	Quantity	M n..15	M n..15	
6411	Measure unit qualifier	C an..3	N	Not used

Remark:

Example:

QTY+156:9'
QTY+145:3:PCE'
QTY+156:7:PCE'

No = Consecutive segment number
MaxOcc = Maximum occurrence of the segment/group
Counter = Counter of segment/group within the standard

St = Status
EDIFACT: M=Mandatory, C=Conditional
User specific: R=Required, O=Optional, D=Dependent,
A=Advised, N=Not used

Counter	No	Tag	St	MaxOcc	Level	Name
0390		SG11	C	9999	2	QTY-LOC-DTM-SG13
0400	13	QTY	M	1	2	Quantity

Standard			BSH Implementation	
Tag	Name	St Format	St Format	Usage / Remark
QTY				
C186	Quantity details	M	M	
6063	Quantity qualifier	M an..3	M an..3	145 Actual stock (Mandatory) 156 Inventory movement quantity 17 Quantity on hand 21 Ordered quantity, used for outstanding quantity (deprecated) 73 Outstanding quantity (Difference between quantity ordered and quantity received) 97 Minimum inventory 146 Model or target stock 99 Estimated quantity (deprecated) 153 Statistical sales quantity (deprecated) X20 Reserved quantity (deprecated)
6060	Quantity	M n..15	M n..15	
6411	Measure unit qualifier	C an..3	N	Not used

Remark:

Example:

QTY+156:9'
 QTY+145:3:PCE'
 QTY+156:7:PCE'

No = Consecutive segment number
 MaxOcc = Maximum occurrence of the segment/group
 Counter = Counter of segment/group within the standard

St = Status
 EDIFACT: M=Mandatory, C=Conditional
 User specific: R=Required, O=Optional, D=Dependent,
 A=Advised, N=Not used

Counter	No	Tag	St	MaxOcc	Level	Name
	0390	SG11	C	9999	2	QTY-LOC-DTM-SG13
	0430	LOC	C	5	3	Place/location identification

Standard			BSH Implementation	
Tag	Name	St Format	St Format	Usage / Remark
LOC				
3227	Place/location qualifier	M an..3	M an..3	18 Warehouse
C517	Location identification	C	C	
3225	Place/location identification	C an..25	C an..25	
1131	Code list qualifier	C an..3	N	Not used
3055	Code list responsible agency, coded	C an..3	C an..3	9 EAN (International Article Numbering association)
3224	Place/location	C an..70	N	Not used
C519	Related location one identification	C	N	
3223	Related place/location one identification	C an..25	N	Not used
1131	Code list qualifier	C an..3	N	Not used
3055	Code list responsible agency, coded	C an..3	N	Not used
3222	Related place/location one	C an..70	N	Not used
C553	Related location two identification	C	C	
3233	Related place/location two identification	C an..25	C an..25	
1131	Code list qualifier	C an..3	N	Not used
3055	Code list responsible agency, coded	C an..3	N	Not used
3232	Related place/location two	C an..70	N	Not used
5479	Relation, coded	C an..3	N	Not used

Remark:

Example:

LOC+18+X::9++X'
 LOC+18+3333333333333333::9++Name'

No = Consecutive segment number
 MaxOcc = Maximum occurrence of the segment/group
 Counter = Counter of segment/group within the standard

St = Status
 EDIFACT: M=Mandatory, C=Conditional
 User specific: R=Required, O=Optional, D=Dependent,
 A=Advised, N=Not used

Counter	No	Tag	St	MaxOcc	Level	Name
0390		SG11	C	9999	2	QTY-LOC-DTM-SG13
0440	15	DTM	C	5	3	Date/time/period

Standard			BSH Implementation	
Tag	Name	St Format	St Format	Usage / Remark
DTM				
C507	Date/time/period	M	M	
2005	Date/time/period qualifier	M an..3	M an..3	50 Goods receipt date/time
2380	Date/time/period	C an..35	N	Not used
2379	Date/time/period format qualifier	C an..3	R an..3	

Remark:

This segment is used to specify dates relevant to the quantity (or sub-quantity) specified in the QTY segment for the current line item. In the extended Inventory Report this DTM segment may be used to indicate the inventory report date for the sub-quantity and location identified in the QTY and LOC segments respectively.

Example:

Example:

DTM+50:::2'

No = Consecutive segment number
 MaxOcc = Maximum occurrence of the segment/group
 Counter = Counter of segment/group within the standard

St = Status
 EDIFACT: M=Mandatory, C=Conditional
 User specific: R=Required, O=Optional, D=Dependent,
 A=Advised, N=Not used

Counter	No	Tag	St	MaxOcc	Level	Name
	0490	SG13	C	5	3	PRI
	0500	PRI	M	1	3	Price details

Standard			BSH Implementation	
Tag	Name	St Format	St Format	Usage / Remark
PRI				
C509	Price information	C	C	
5125	Price qualifier	M an..3	M an..3	AAB Calculation gross AAF Information price, including allowances or charges, and taxes
5118	Price	C n..15	C n..15	
5375	Price type, coded	C an..3	N	Not used
5387	Price type qualifier	C an..3	C an..3	AAB Price includes tax ABC Group member buying price
5284	Unit price basis	C n..9	N	Not used
6411	Measure unit qualifier	C an..3	N	Not used
5213	Sub-line price change, coded	C an..3	N	Not used

Remark:

Example:

PRI+AAB:9::AAB'
PRI+AAB:190::AAB'

No = Consecutive segment number
MaxOcc = Maximum occurrence of the segment/group
Counter = Counter of segment/group within the standard

St = Status
EDIFACT: M=Mandatory, C=Conditional
User specific: R=Required, O=Optional, D=Dependent,
A=Advised, N=Not used

Counter	No	Tag	St	MaxOcc	Level	Name
0670	17	UNT	M	1	0	MESSAGE TRAILER

Standard			BSH Implementation	
Tag	Name	St Format	St Format	Usage / Remark
UNT				
0074	Number of segments in a message	M n..6	M n..6	
0062	Message reference number	M an..14	M an..14	

Remark:

Example:

UNT+11+1'
UNT+14+1'

No = Consecutive segment number
 MaxOcc = Maximum occurrence of the segment/group
 Counter = Counter of segment/group within the standard

St = Status
 EDIFACT: M=Mandatory, C=Conditional
 User specific: R=Required, O=Optional, D=Dependent,
 A=Advised, N=Not used

Counter	No	Tag	St	MaxOcc	Level	Name
0000	18	UNZ	M	1	0	INTERCHANGE TRAILER

Standard			BSH Implementation	
Tag	Name	St Format	St Format	Usage / Remark
UNZ				
0036	Interchange control count	M n..6	M n..6	
0020	Interchange control reference	M an..14	M an..14	

Remark:**Example:**

UNZ+1+X'

UNZ+1+201305200001'

No = Consecutive segment number
 MaxOcc = Maximum occurrence of the segment/group
 Counter = Counter of segment/group within the standard

St = Status
 EDIFACT: M=Mandatory, C=Conditional
 User specific: R=Required, O=Optional, D=Dependent,
 A=Advised, N=Not used

Example Message

No	Tag	Example
01	UNA	UNA:+. ? ' UNA:+. ? '
02	UNB	UNB+UNOC:3+X:14+X:14+130424:0958+X' UNB+UNOC:3+11111111111111:14+222222222222:14+100520:1200+201305200001'
03	UNH	UNH+1+INVRPT:D:96A:UN:EAN004' UNH+1+INVRPT:D:96A:UN:EAN004'
04	BGM	BGM+35+X+9' BGM+11+1234567+9'
05	DTM	DTM+366:20130505:101' DTM+366:20130520:102' DTM+273:2013052020130620:718'
SG1		
06	RFF	RFF+ZZZ:DE' RFF+ZZZ:PL' RFF+API:SAMSUNG_DE'
SG2		
07	NAD	NAD+CO+X::9++X' NAD+CO+11111111111111::9++MEDIA-SATURN' NAD+SU+222222222222::9'
SG5		
08	CUX	CUX+2'
SG9		
09	LIN	LIN+9++44444444444444:EN' LIN+1++44444444444444:EN'
10	PIA	PIA+5+X:BP' PIA+5+82341255:BP'
11	IMD	IMD+A++::X' IMD+F++::DWH article description'
SG11		
12	QTY	QTY+156:9' QTY+145:3:PCE' QTY+156:7:PCE'
SG11		
13	QTY	QTY+156:9' QTY+145:3:PCE' QTY+156:7:PCE'
14	LOC	LOC+18+X::9++X' LOC+18+33333333333333::9++Name'
15	DTM	DTM+50::2' DTM+94:19970601:102'
SG13		
16	PRI	PRI+AAB:9::AAB' PRI+AAB:190::AAB'
17	UNT	UNT+11+1' UNT+14+1'
18	UNZ	UNZ+1+X' UNZ+1+201305200001'

No = Consecutive segment number

No = Consecutive segment number
MaxOcc = Maximum occurrence of the segment/group
Counter = Counter of segment/group within the standard

St = Status
EDIFACT: M=Mandatory, C=Conditional
User specific: R=Required, O=Optional, D=Dependent,
A=Advised, N=Not used