

---

# MediaMarktSaturn IT Solutions

Message Implementation Guideline

**DESADV; 3.01; 02**

based on

**DESADV**

Despatch advice message

**EANCOM® 2002 S3**

Print date: 12.06.2024

Author: Franklin Pecher

## Table of Contents

History of Changes.....	3
Message Structure.....	4
Branching Diagram .....	6
Segments .....	12
Example .....	47

## History of Changes

Version	Date	Subject	Content / Trigger of Change	Responsible Person
1.0	2018-09-05	SG0 DTM – Clarification of use	Amendment	G. Rogge-Przybylski
1.1	2018-10-25	Added CN code in PAC segment (usage in SCE for Imtron)	Addition	R. Senner
1.2	2018-11-07	Added DESADVWS as application reference (UNB 0026) for SCE project	Addition	R. Senner
1.3	2018-11-23	Changed cardinality for orderPositionNumber for SCE project to mandatory	Change	R. Senner
1.4	2019-02-21	Added SG3 RFF+YC1	Addition	G. Rogge-Przybylski
1.5	2019-02-21	SG15 GIN – Clarification of use	Amendment	G. Rogge-Przybylski
1.6	2019-05-02	SG17-PIA corrected field length	Correction	G. Rogge-Przybylski
1.7	2019-10-10	Added character sets for PL, HU and TR in UNB segment	Correction	R. Senner
1.8	2019-11-06	Some minor clarifications	Amendment	G. Rogge-Przybylski
1.9	2020-02-06	Order position number mandatory for SCE (SG 18 RFF+LI)	Amendment	R. Senner
2.0	2021-04-26	SG17-PIA: - corrected field length if SCE/DESADVWS and qualifier "SA" - deleting qualifier "XY8"	Correction	G. Rogge-Przybylski
2.1	2021-07-24	Added BGM-Qualifier - YA5 for cross docking - YA6for pre-packed cross docking [transshipment]	Amendment	G. Rogge-Przybylski
3.0	2023-09-18	Creation of MIG in GEFEG FX	Overhaul	Creation;Franklin Pecher
3.01	2023-09-18	Update of Layout version	Update	Layout Update;Darius Leuchten

## Structure / Table of Contents

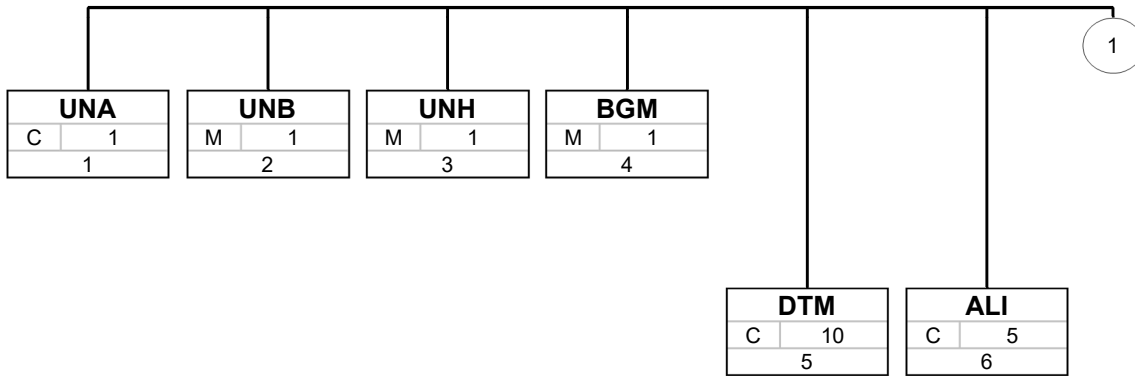
No	Tag	St	MaxOcc	Content	
1	UNA	C	1	Service string advice	UNA:+.? '
2	UNB	M	1	Interchange header	UNB+UNOC:3+5412345678908:14+879876 5432106:14:X+230808:1110+12345555+ +DESADVFF+A+1++1'
<b>Despatch Advice Heading Section</b>					
3	UNH	M	1	Message header	UNH+ME000001+DESADV:D:01B:UN:EAN00 7'
4	BGM	M	1	Beginning of message	BGM+351+DES587441+9'
5	DTM	C	10	Date/time/period	DTM+137:20230808:102'
6	ALI	C	5	Additional information	ALI+++165'
	SG1	C	10	RFF	
7	RFF	M	1	Reference	RFF+ZZZ:DE'
	SG2	C	99	NAD	
8	NAD	M	1	Name and address	NAD+CA+5411234512300::9++DPD'
	SG2	C	99	NAD-SG3	
9	NAD	M	1	Name and address	NAD+BY+8000234512300::9++++++DE'
	SG3	C	10	RFF	
10	RFF	M	1	Reference	RFF+YC1:123456'
	SG2	C	99	NAD-SG4	
11	NAD	M	1	Name and address	NAD+PO+718::86'
	SG4	C	10	CTA-COM	
12	CTA	C	1	Contact information	CTA+DL+M.MUSTERMANN'
13	COM	C	5	Communication contact	COM+004461879523:TE'
	SG5	C	10	TOD	
14	TOD	M	1	Terms of delivery or transport	TOD+3+AC+2E:2E'
	SG6	C	10	TDT	
15	TDT	D	1	Details of transport	TDT+20++50+48'
	SG10	C	9999	CPS-SG11-SG17	
16	CPS	M	1	Consignment packing sequence	CPS+1+X'
	SG11	C	9999	PAC-MEA-QTY-SG12-SG13	
17	PAC	D	1	Package	PAC+1++08'
18	MEA	C	10	Measurements	MEA+AAE+HT+MMT:12'
19	QTY	C	10	Quantity	QTY+52:24'
	SG12	C	10	HAN	
20	HAN	D	1	Handling instructions	HAN+BIG'
	SG13	C	1000	PCI-DTM-SG15	
21	PCI	D	1	Package identification	PCI+33E'
22	DTM	M	5	Date/time/period	DTM+11:20101102:102'
	SG15	C	99	GIN	
23	GIN	D	1	Goods identity number	GIN+BJ+354123450000000014'
	SG17	M	9999	LIN-PIA-IMD-QTY-DTM-SG18-SG22-SG25	
24	LIN	M	1	Line item	LIN+1++5412345123453:SRV'
25	PIA	M	10	Additional product id	PIA+1+9334532:BP'
26	IMD	D	25	Item description	IMD+F++::MINI DISPLAYPRT TO HDMI CABLE 180CM:X'
27	QTY	M	10	Quantity	QTY+12:400:PCE'
28	DTM	C	5	Date/time/period	DTM+128:20120717:102'

No = Consecutive segment number; MaxOcc = Maximum occurrence of the segment/group; St = Status;  
EDIFACT: M=Mandatory, C=Conditional; User specific: R=Required, O=Optional, D=Dependent, A=Advised, N=Not used

No	Tag	St	MaxOcc	Content	
	<b>SG18</b>	C	99	RFF	
29	<b>RFF</b>	D	1	Reference	<b>RFF+LI:1'</b>
	<b>SG22</b>	C	9999	PCI-SG23	
30	<b>PCI</b>	C	1	Package identification	<b>PCI+17'</b>
	<b>SG23</b>	C	10	GIN	
31	<b>GIN</b>	M	1	Goods identity number	<b>GIN+BN+SN100+SN100+SN100+SN100+SN100'</b>
	<b>SG25</b>	C	10	QVR	
32	<b>QVR</b>	D	1	Quantity variances	<b>QVR+50:21+IC+: :9:PBCK'</b>
33	<b>UNT</b>	M	1	Message trailer	<b>UNT+112+ME000001'</b>
34	<b>UNZ</b>	M	1	Interchange trailer	<b>UNZ+5+12345555'</b>

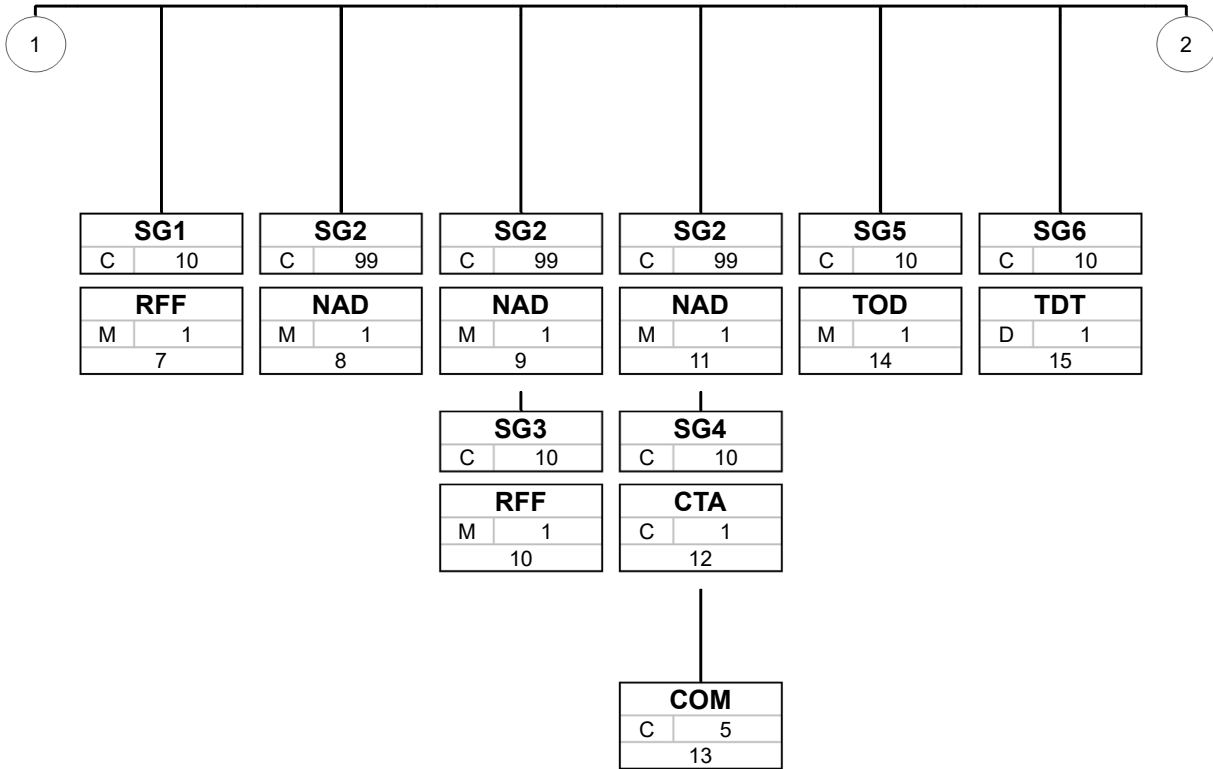
No = Consecutive segment number; MaxOcc = Maximum occurrence of the segment/group; St = Status;  
EDIFACT: M=Mandatory, C=Conditional; User specific: R=Required, O=Optional, D=Dependent, A=Advised, N=Not used

**Branching Diagram of Used Segments/Groups**



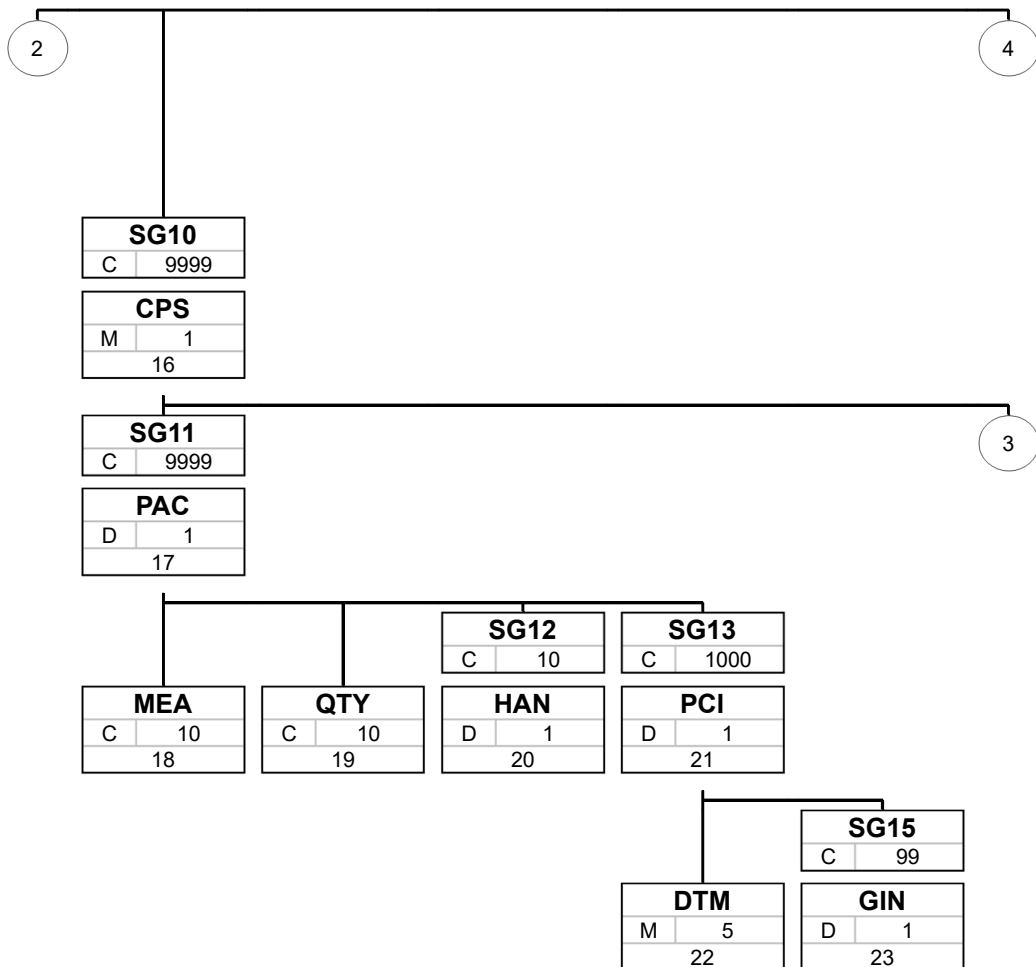
Tag
St MaxOcc
No

Tag = Segment/Group Tag  
 St = Status (M=Mandatory, C=Conditional, R=Required, O=Optional, A=Advised, D=Dependent)  
 MaxOcc = Maximum occurrence of the segment/group  
 No = Consecutive segment number



Tag
St MaxOcc
No

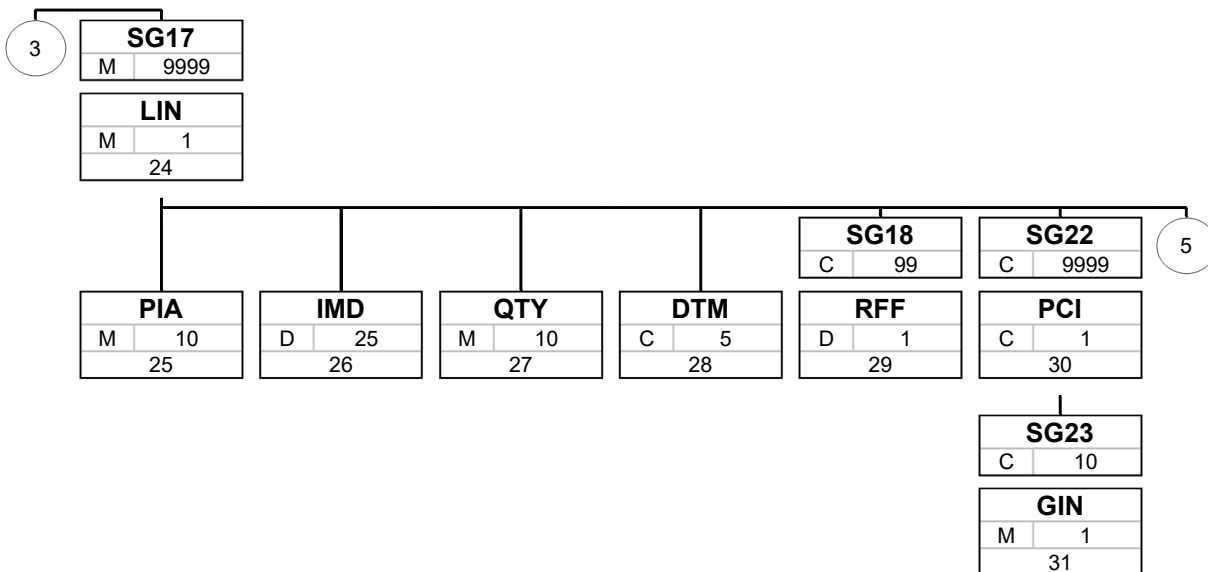
Tag = Segment/Group Tag  
 St = Status (M=Mandatory, C=Conditional, R=Required, O=Optional, A=Advised, D=Dependent)  
 MaxOcc = Maximum occurrence of the segment/group  
 No = Consecutive segment number



Tag	
St	MaxOcc
No	

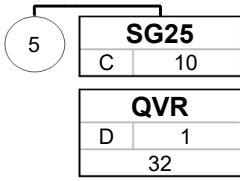
Tag = Segment/Group Tag  
 St = Status (M=Mandatory, C=Conditional, R=Required, O=Optional, A=Advised, D=Dependent)  
 MaxOcc = Maximum occurrence of the segment/group  
 No = Consecutive segment number





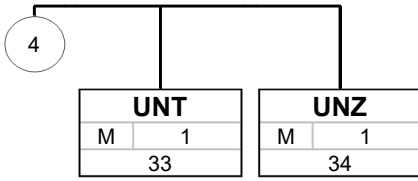
Tag
St MaxOcc
No

Tag = Segment/Group Tag  
 St = Status (M=Mandatory, C=Conditional, R=Required, O=Optional, A=Advised, D=Dependent)  
 MaxOcc = Maximum occurrence of the segment/group  
 No = Consecutive segment number



Tag
St MaxOcc
No

Tag = Segment/Group Tag  
 St = Status (M=Mandatory, C=Conditional, R=Required, O=Optional, A=Advised, D=Dependent)  
 MaxOcc = Maximum occurrence of the segment/group  
 No = Consecutive segment number



Tag
St MaxOcc
No

Tag = Segment/Group Tag  
 St = Status (M=Mandatory, C=Conditional, R=Required, O=Optional, A=Advised, D=Dependent)  
 MaxOcc = Maximum occurrence of the segment/group  
 No = Consecutive segment number



No	Tag	St	MaxOcc	Name
2	<b>UNB</b>	M	1	Interchange header

Tag	Name	St Format	Example	Usage / Remark
UNB			<b>UNB</b>	
S001	Syntax identifier	M		
0001	Syntax identifier	M a4	<b>+UNOC</b>	UNOC (DE,AT, CH, NL, BE, LU, ES, PT, SE) UNOD (PL, HU) UNOK (TR)
0002	Syntax version number	M n1	<b>:3</b>	<b>3 Version 3</b>
S002	Interchange sender	M		
0004	Sender identification	M n13	<b>+541234567 8908</b>	GLN (n13)
0007	Partner identification code qualifier	R an..4	<b>:14</b>	<b>14 EAN International</b>
S003	Interchange recipient	M		
0010	Recipient identification	M n13	<b>+879876543 2106</b>	GLN (n13)
0007	Partner identification code qualifier	R an..4	<b>:14</b>	<b>14 EAN International</b>
0014	Routing address	C an..14	<b>:X</b>	GLN of DC in Replenishment Order Process
S004	Date/time of preparation	M		
0017	Date of preparation	M n6	<b>+230808</b>	YYMMDD
0019	Time of preparation	M n4	<b>:1110</b>	HHMM
0020	Interchange control reference	M an..14	<b>+12345555</b>	Unique reference identifying the interchange. Created by the interchange sender.
S005	Recipient's reference, password	C		
0022	Recipient's reference/password	M an..14	<b>+</b>	
0025	Recipient's reference/password qualifier	C an2	<b>:</b>	
0026	Application reference	M an..14	<b>+DESADVFF</b>	DESADV, DESADVFF (only for Multichannel) or DESADVRP (only for Multichannel) or DESADVTO (in case of IHT) or DESADVTA (in case of MT) or DESADVPU (only for Multichannel / used only in selected countries) or DESADVRTV (in case of RTV) DESADVWS (in case of SCE)
0029	Processing priority code	C a1	<b>+A</b>	<b>A Highest priority</b>
0031	Acknowledgement request	C n1	<b>+1</b>	<b>1 Requested</b>
0032	Communications agreement ID	C an..35	<b>+</b>	EANCOM.....
0035	Test indicator	C n1	<b>+1'</b>	<b>1 Interchange is a test</b>

**Remark:**

Data element 0026: This data element is used to identify the application, on the interchange recipient's system, to which the interchange is directed.

This data element may only be used if the interchange contains only one type of message, (e.g. only invoices).

The reference used in this data element is assigned by the interchange sender.

At Media-Saturn this information is used as an identifier to map into different in-house application message formats.

For EDI message DESADV within this guidelines there are seven different "application references" (BGM 0026) possible:

(MC):

- from Third Party Supplier (DS) or Distribution Center (WSP) in Fulfilment Order Process: DESADVFF or DESADVPU. The Application Reference DESADVPU is used only in selected countries.

- from Supplier in Replenishment Process: DESADVRP

(BM):

- From Supplier to deliver the goods to the outlets: DESADV

No = Consecutive segment number; MaxOcc = Maximum occurrence of the segment/group; St = Status;  
EDIFACT: M=Mandatory, C=Conditional; User specific: R=Required, O=Optional, D=Dependent, A=Advised, N=Not used

(IHT):

- from Distribution Center (WSP) to deliver the goods to the SP and vice versa: DESADVTO

(MT) :

- from Distribution Center (WSP) to deliver the goods to the Outlet: DESADVTA

(RTV) :

- from Distribution Center (WSP) if returning goods to the supplier: DESADVRTV

(SCE) :

- from Supplier to the wholesale system : DESADVWS

**Example:**

UNB+UNOC:3+5412345678908:14+8798765432106:14:X+230808:1110+12345555++DESADVFF+A+1++1'

No	Tag	St	MaxOcc	Name
3	<b>UNH</b>	M	1	Message header

Tag	Name	St	Format	Example	Usage / Remark
UNH				<b>UNH</b>	
0062	Message reference number	M	an..14	+ME000001	
S009	Message identifier	M			
0065	Message type	M	an..6	+DESADV	<b>DESADV Despatch advice message</b>
0052	Message version number	M	an..3	:D	<b>D Draft version/UN/EDIFACT Directory</b>
0054	Message release number	M	an..3	:01B	<b>01B Release 2001 - B</b>
0051	Controlling agency	M	an..2	:UN	<b>UN UN/CEFACT</b>
0057	Association assigned code	R	an..6	:EAN007'	<b>EAN007 EAN version control number (EAN Code)</b>

**Remark:**

This segment is used to head, identify and specify a message.

DE's 0065, 0052, 0054, and 0051: Indicate that the message is a UNSM Despatch Advice message based on the D.01B directory under the control of the United Nations.

**Example:**

UNH+ME000001+DESADV:D:01B:UN:EAN007'

No	Tag	St	MaxOcc	Name
4	<b>BGM</b>	M	1	Beginning of message

Tag	Name	St	Format	Example	Usage / Remark
BGM				<b>BGM</b>	
C002	Document/message name	M			
1001	Document name code	M	an..3	+351	<b>351 Despatch advice</b> <b>YA5 Intermediate handling cross docking despatch advice (EAN Code)</b> <b>YA6 Pre-packed cross docking [transshipment] despatch advice (EAN Code)</b>
C106	Document/message identification	M			
1004	Document identifier	M	an..35	+DES587441	Despatch advice number assigned by the document sender
1225	Message function code	M	an..3	+9'	<b>9 Original</b>

**Remark:**

(BM and IHT/MT/RTV): Despatch advice numbers with more than 20 characters, which are not in uppercase and / or with leading zeroes were rejected. Valid range of values: letters [A to Z], numerals [0 to 9].

**Example:**

BGM+351+DES587441+9'



No	Tag	St	MaxOcc	Name
5	<b>DTM</b>	C	10	Date/time/period

Tag	Name	St	Format	Example	Usage / Remark
DTM				<b>DTM</b>	
C507	Date/time/period	M			
2005	Date or time or period function code qualifier	M	an..3	+137	<b>137 Document/message date/time</b> <b>11 Despatch date and/or time</b> <b>17 Delivery date/time, estimated</b>
2380	Date or time or period value	M	an..35	:20230808	Document date value
2379	Date or time or period format code	M	an..3	:102'	<b>102 CCYYMMDD</b> <b>204 CCYYMMDDHHMMSS</b>

**Remark:**

Data element 2380 for despatch date (11) and document date (137) must not be a date in the future.

C507.2005=137 is used always.

Usage of additional Qualifiers see following specification:

(IHT/MT/RTV): C507.2005=137 and 17 is used in case of IHT, MT or RTV

(BM): C507.2005 = 137 and 11 and 17 is used in case of BM

**Example:**

DTM+137:20230808:102'

No	Tag	St	MaxOcc	Name
6	<b>ALI</b>	C	5	Additional information

Tag	Name	St Format	Example	Usage / Remark
ALI			<b>ALI</b>	
4183	Special condition code	C an..3	+165'	<b>165 Split shipment</b>

**Remark:**

Split shipment is not allowed in Multichannel business and for IHT/MT/RTV-transfers.

**Example:**

ALI+++165'

No	Tag	St	MaxOcc	Name
	<b>SG1</b>	C	10	<b>RFF</b>
7	<b>RFF</b>	M	1	<b>Reference</b>

Tag	Name	St Format	Example	Usage / Remark
RFF			<b>RFF</b>	
C506	Reference	M		
1153	Reference code qualifier	M an..3	<b>+ZZZ</b>	<b>ZZZ Mutually defined reference number</b> <b>ON Order number (buyer)</b> <b>CR Customer reference number</b> <b>CU Consignor's reference number</b>
1154	Reference identifier	R an..70	<b>:DE'</b>	Reference ID In case of 1153 = ZZZ, Media Saturn Subsidiary iso country code, e.g. "DE", "AT", "NL"

**Remark:**

(BM): C506.1153 = ON: Media-Saturn's Order number is necessary at least either in the header (SG1) or at item level (SG18).

C506.1153 = ZZZ always used.

(MC): C506.1153 = CR: Order number from Media Saturn Customer Order Management System

C506.1153 = ZZZ always used.

(IHT/MT/RTV): C506.1153 = ON and ZZZ are always used.

(LP): WSP has always sent SG1 RFF+ZZZ:LP', means 'LP' is the country code for WSP. Transport reference number (SG1 RFF+CU) is a technical reference (Idempotency) to avoid doublets and mandatory for LP.

**Example:**

RFF+ZZZ:DE'

No	Tag	St	MaxOcc	Name
	<b>SG2</b>	C	99	<b>NAD</b>
8	<b>NAD</b>	M	1	<b>Name and address</b>

Tag	Name	St Format	Example	Usage / Remark
NAD			<b>NAD</b>	
3035	Party function code qualifier	M an..3	<b>+CA</b>	<b>CA Carrier</b>
C082	Party identification details	A		
3039	Party identifier	M an..35	<b>+541123451 2300</b>	GLN (Format n13)
3055	Code list responsible agency code	M an..3	<b>:9</b>	<b>9 EAN (International Article Numbering association)</b>
C080	Party name	M		
3036	Party name	M an..35	<b>+DPD'</b>	Carrier name in clear text (e.g. DHL)

**Remark:**

(BM): Not necessary in brick and mortar business.

(MC and IHT/MT/RTV): In "Fulfilment Order Process" and for transfers the GLN of carrier is not necessary. But the name or code of the carrier is mandatory in data element 3036. Defined codes are: DPD (Deutscher Paket Dienst) / DHL / HRM (Hermes Logistik Gruppe) / UPS / USPS / FED (Fed Ex) / TNT / GLS / OEPS (Österreichische Post) / OTHS (Other; in case of HandlingGroup: Two person handling).

In case of so called "push back" or an order cancellation (pull back) no carrier exists. Therefore the dummy code "PUSHBACK" or "PULLBACK" should be used instead

**Example:**

NAD+CA+5411234512300::9++DPD'  
 NAD+CA+5411234512300::9++DPD'  
 NAD+CA+++DHL'  
 NAD+CA+++PUSHBACK'  
 NAD+CA+++PULLBACK'

No	Tag	St	MaxOcc	Name
	<b>SG2</b>	C	99	<b>NAD-SG3</b>
9	<b>NAD</b>	M	1	<b>Name and address</b>

Tag	Name	St Format	Example	Usage / Remark
NAD			<b>NAD</b>	
3035	Party function code qualifier	M an..3	<b>+BY</b>	<b>BY Buyer</b> <b>DP Delivery party</b> <b>SU Supplier</b> <b>SF Ship from</b>
C082	Party identification details	C		
3039	Party identifier	M an..35	<b>+800023451</b>	GLN (Format n13) or
			<b>2300</b>	Supplier-id of MediaMarktSaturn (only if RTV)
3055	Code list responsible agency code	M an..3	<b>:9</b>	<b>9 EAN (International Article Numbering association)</b> <b>86 Assigned by party originating the message</b>
C080	Party name	D		
3036	Party name	M an..35	<b>+</b>	Supplier name in clear text
C059	Street	C		
3042	Street and number or post office box identifier	M an..35	<b>+</b>	Street and number or post office box identifier
3164	City name	D an..35	<b>+</b>	City/Town , clear text
3251	Postal identification code	D an..17	<b>+</b>	Postal code
3207	Country name code	D an..3	<b>+DE'</b>	ISO 3166 two alpha code of pick-up store

**Remark:**

NAD+SU+8000234512300::9'

(BM): For a more detailed supplier identification with MS supplier-no. pls. use corresponding SG3 RFF+YC1 segment

(IHT/MT/RTV): NAD+SF (DE3035, C082.3039/3055) is only used for IHT, MT and RTV.

Only if RTV: for NAD+DP the use the Supplier-Id of MediaMarkt-Saturn is possible if there is no GLN available.

**Example:**

NAD+BY+8000234512300::9++++++DE'

No	Tag	St	MaxOcc	Name
	<b>SG3</b>	C	10	<b>RFF</b>
10	<b>RFF</b>	M	1	<b>Reference</b>

Tag	Name	St Format	Example	Usage / Remark
RFF			<b>RFF</b>	
C506	Reference	M		
1153	Reference code qualifier	M an..3	<b>+YC1</b>	<b>YC1 Additional party identification (EAN Code)</b>
1154	Reference identifier	M an..70	<b>:123456'</b>	MediaMarktSaturn Supplier no.

**Remark:**

(BM): MediaMarkt-Saturn's supplier no. This segment is used only in BM business.

**Example:**

RFF+YC1:123456'

No	Tag	St	MaxOcc	Name
	<b>SG2</b>	C	99	<b>NAD-SG4</b>
11	<b>NAD</b>	M	1	<b>Name and address</b>

Tag	Name	St Format	Example	Usage / Remark
NAD			<b>NAD</b>	
3035	Party function code qualifier	M an..3	<b>+PO</b>	<b>PO Ordering party</b>
C082	Party identification details	M		
3039	Party identifier	M an..35	<b>+718</b>	ID of web shop (Media or Saturn) if MC ID of web shop (Media or Saturn) or GLN (Format n13) if IHT,MT or RTV
3055	Code list responsible agency code	M an..3	<b>:86'</b>	<b>86 Assigned by party originating the message</b> <b>9 EAN (International Article Numbering association)</b>

**Remark:**

NAD+SU+718::9'

(MC): Segment is mandatory in "Fulfilment Order Process". Defined web shop id's (=outlet id) are e.g.:

- 718 (=Media Markt AT)
- 719 (=Saturn Markt AT)
- 742 (=Media Markt NL)
- 743 (=Saturn Markt NL)
- 1125 (=Media Markt DE)
- 1015 (=Saturn Markt DE)
- 1124 (=Media Markt SE)

(IHT/MT/RTV): Segment is mandatory in case of IHT, MT and RTV

**Example:**

NAD+PO+718:::86'

No	Tag	St	MaxOcc	Name
	<b>SG4</b>	C	10	<b>CTA-COM</b>
	(MC): Not necessary			
12	<b>CTA</b>	C	1	<b>Contact information</b>

Tag	Name	St	Format	Example	Usage / Remark
CTA				<b>CTA</b>	
3139	Contact function code	C	an..3	<b>+DL</b>	<b>DL Delivery contact</b>
C056	Department or employee details	C			
3413	Department or employee name code	C	an..17	<b>+M. MUSTERMANN</b>	

**Remark:**

(MC): Not necessary.

**Example:**

CTA+DL+M.MUSTERMANN'



No	Tag	St	MaxOcc	Name
	<b>SG4</b>	C	10	<b>CTA-COM</b>
	(MC): Not necessary			
13	<b>COM</b>	C	5	<b>Communication contact</b>

Tag	Name	St	Format	Example	Usage / Remark
COM				COM	
C076	Communication contact	M			
3148	Communication address identifier	M	an..512	+004461879523	
3155	Communication address code qualifier	M	an..3	:TE'	TE Telephone FX Fax EM Electronic mail

**Remark:**

**Example:**

COM+004461879523:TE'

No	Tag	St	MaxOcc	Name
	<b>SG5</b>	C	10	<b>TOD</b>
14	<b>TOD</b>	M	1	<b>Terms of delivery or transport</b>

Tag	Name	St Format	Example	Usage / Remark
TOD			TOD	
4055	Delivery or transport terms function code	C an..3	+3	<b>3 Price and despatch condition</b>
4215	Transport charges payment method code	C an..3	+AC	<b>AC Insurance costs paid by consignor</b>
C100	Terms of delivery or transport	C		
4053	Delivery or transport terms description code	C an..3	+2E	<b>EXW Ex works</b> <b>CIP Freight, Carriage, Insurance to destination</b> <b>DDP Delivery duty paid to destination</b>
1131	Code list identification code	C an..17	:2E	<b>2E Incoterms 2000 (GS1 Code)</b>
3055	Code list responsible agency code	C an..3	:'	<b>9 GS1</b> <b>CIP Freight, Carriage, Insurance to destination</b> <b>DDP Delivery duty paid to destination</b>

**Remark:****Example:**

TOD+3+AC+2E:2E'

No	Tag	St	MaxOcc	Name
	<b>SG6</b>	C	10	<b>TDT</b>
15	<b>TDT</b>	D	1	<b>Details of transport</b>

Tag	Name	St	Format	Example	Usage / Remark
TDT				<b>TDT</b>	
8051	Transport stage code qualifier	M	an..3	+20	<b>20 Main-carriage transport</b>
C220	Mode of transport	D			
8067	Transport mode name code	M	an..3	+50	<b>30 Road transport 50 Mail</b>
C228	Transport means	D			
8179	Transport means description code	M	an..8	+48'	<b>48 Van X11 Surface mail (EAN Code - book)</b>

**Remark:****Example:**

TDT+20++50+48'

No	Tag	St	MaxOcc	Name
	<b>SG10</b>	C	9999	<b>CPS-SG11-SG17</b>
16	<b>CPS</b>	M	1	<b>Consignment packing sequence</b>

Tag	Name	St Format	Example	Usage / Remark
CPS			<b>CPS</b>	
7164	Hierarchical structure level identifier	M an..35	+1	Default "dummy" value 1 (Usually sequential numbering recommended).
7166	Hierarchical structure parent identifier	C an..35	+X'	

**Remark:**

**Example:**  
CPS+1+X'

No	Tag	St	MaxOcc	Name
	<b>SG11</b>	C	9999	<b>PAC-MEA-QTY-SG12-SG13</b>
17	<b>PAC</b>	D	1	<b>Package</b>

Tag	Name	St Format	Example	Usage / Remark
PAC			<b>PAC</b>	
7224	Package quantity	O n..8	+1	Default "dummy" value 1
C202	Package type	C		
7065	Package type description code	O an..17	+08'	<b>08 Oneway pallet (EAN Code)</b> <b>09 Returnable pallet (EAN Code)</b> <b>200 Pallet ISO 0 - 1/2 EURO Pallet (EAN Code)</b> <b>201 Pallet ISO 1 - 1/1 EURO Pallet (EAN Code)</b> CN = Container, not otherwise specified as transport equipment CS = Case CT = Carton RO = Rolle

**Remark:**

Example:

(MC): PAC+1'

(BM): PAC+1++RO'

Note:

(BM): See EDI Guideline, chapter 6 for this topic (schema dependency).

(MC): This segment can be used to identify the total number of packages per hierarchical level identified in the CPS segment, in a shipment. The contents of each package is subsequently described in the following LIN segment, only PAC 7224 is needed.

(IHT/MT/RTV): not used if PUSBACK/PULLBACK

**Example:**

PAC+1++08'

No	Tag	St	MaxOcc	Name
	<b>SG11</b>	C	9999	<b>PAC-MEA-QTY-SG12-SG13</b>
18	<b>MEA</b>	C	10	<b>Measurements</b>

Tag	Name	St Format	Example	Usage / Remark
MEA			<b>MEA</b>	
6311	Measurement purpose code qualifier	M an..3	<b>+AAE</b>	<b>AAE Measurement</b>
C502	Measurement details	C		
6313	Measured attribute code	C an..3	<b>+HT</b>	<b>HT Height dimension LN Length dimension WD Width dimension AAB Unit gross weight</b>
C174	Value/range	C		
6411	Measurement unit code	C an..3	<b>+MMT</b>	<b>MMT millimetre KGM kilogram</b>
6314	Measurement value	C an..18	<b>:12'</b>	

**Remark:**

(BM): See EDI Guideline, chapter 6 for this topic (schema dependency).

(MC): Not necessary.

(IHT/MT/RTV): not use

**Example:**

MEA+AAE+HT+MMT:12'

No	Tag	St	MaxOcc	Name
	<b>SG11</b>	C	9999	<b>PAC-MEA-QTY-SG12-SG13</b>
19	<b>QTY</b>	C	10	<b>Quantity</b>

Tag	Name	St Format	Example	Usage / Remark
QTY			<b>QTY</b>	
C186	Quantity details	M		
6063	Quantity type code qualifier	M an..3	<b>+52</b>	<b>52 Quantity per pack</b>
6060	Quantity	M an..35	<b>:24 '</b>	Quantity

**Remark:**

(BM): See EDI Guideline, chapter 6 for this topic (schema dependency).

(MC): Not necessary.

(IHT/MT/RTV): not used

**Example:**

QTY+52:24'

No	Tag	St	MaxOcc	Name
	<b>SG12</b>	C	10	<b>HAN</b>
20	<b>HAN</b>	D	1	<b>Handling instructions</b>

Tag	Name	St Format	Example	Usage / Remark
HAN			<b>HAN</b>	
C524	Handling instructions	A		
4079	Handling instruction description code	R an..3	<b>+BIG'</b>	<b>BIG</b> Outsized (EAN Code) <b>CRU</b> Crushable (EAN Code) <b>DAE</b> Dangerous article (EAN Code) <b>FTD</b> Frost danger (EAN Code) <b>HEA</b> Heavy cargo/150 kg and over per piece (EAN Code) <b>LYG</b> Lying (EAN Code) <b>OHG</b> Overhang item (EAN Code) <b>RCY</b> Recyclable packaging (EAN Code) <b>STR</b> Stacking restricted (EAN Code) <b>UPR</b> Upright/standing (EAN Code) <b>UST</b> Unstackable (EAN Code)

**Remark:**

This segment is used to provide handling instructions relevant to the packaging unit and level described in the PAC segment.

(MC): In C524.4079 element only "BIG" and "CRU" is used.

(IHT/MT/RTV): not used

**Example:**

HAN+BIG'



No	Tag	St	MaxOcc	Name
	<b>SG13</b>	C	1000	<b>PCI-DTM-SG15</b>
21	<b>PCI</b>	D	1	<b>Package identification</b>

Tag	Name	St Format	Example	Usage / Remark
PCI			PCI	
4233	Marking instructions code	R an..3	+33E'	<b>33E Marked with serial shipping container code (EAN Code)</b>

**Remark:**

This segment is used to provide markings and labels information relevant to the packaging unit and level identified in the PAC segment.

(IHT/MT/RTV): not used if PUSBACK/PULLBACK

**Example:**

PCI+33E'

No	Tag	St	MaxOcc	Name
	<b>SG13</b>	C	1000	<b>PCI-DTM-SG15</b>
22	<b>DTM</b>	M	5	<b>Date/time/period</b>

Tag	Name	St Format	Example	Usage / Remark
DTM			<b>DTM</b>	
C507	Date/time/period	M		
2005	Date or time or period function code qualifier	M an..3	<b>+11</b>	<b>11 Despatch date and/or time</b>
2380	Date or time or period value	M an..35	<b>:20101102</b>	
2379	Date or time or period format code	M an..3	<b>:102'</b>	<b>102 CCYYMMDD</b> <b>203 CCYYMMDDHHMM</b> <b>204 CCYYMMDDHHMMSS</b>

**Remark:**

(MC): This segment is used to specify dates relating to the references given in the preceding RFF segment and to indicate the dates marked on the package identified in the PAC segment.

**Example:**

DTM+11:20101102:102'

No	Tag	St	MaxOcc	Name
	<b>SG15</b>	C	99	<b>GIN</b>
23	<b>GIN</b>	D	1	<b>Goods identity number</b>

Tag	Name	St Format	Example	Usage / Remark
GIN			<b>GIN</b>	
7405	Object identification code qualifier	M an..3	+BJ	<b>BJ Serial shipping container code</b>
C208	Identity number range	M		
7402	Object identifier	M an..35	+354123450 00000014'	SSCC if BM or SCE Carrier's tracking number if MC or IHT/MT/RTV

**Remark:**

(BM or SCE): Mandatory (Serial Shipping Container Code SSCC).

(MC and IHT/MT/RTV): Segment is mandatory in "Fulfilment Order Process" (customer order process) and for Transfer processes (IHT /MT/RTV). In these cases the segment contains the Carrier tracking number.

In case of so called "push back" no carrier tracking number exists. Therefore the dummy code "PUSHBACK" should be used instead.

In case of so called "pull back" (order cancellation) no carrier tracking number exists. Therefore the dummy code "PULLBACK" should be used instead.

If PUSH- or PULLBACK in a transfer process (IHT/MT/RTV) this segment is not used.

This segment is used to provide identification numbers relevant to the packaging unit and level identified in the PAC segment.

**Example:**

GIN+BJ+35412345000000014'

No	Tag	St	MaxOcc	Name
	<b>SG17</b>	M	9999	<b>LIN-PIA-IMD-QTY-DTM-SG18-SG22-SG25</b>
24	<b>LIN</b>	M	1	<b>Line item</b>

Tag	Name	St Format	Example	Usage / Remark
LIN			<b>LIN</b>	
1082	Line item identifier	M an..6	+1	Application generated line item number if EAN code is available
C212	Item number identification	D		
7140	Item identifier	M an..35	<b>+541234512 3453</b>	EAN
7143	Item type identification code	M an..3	<b>:SRV'</b>	<b>SRV EAN.UCC Global Trade Item Number</b>

**Remark:**

(MC and IHT/MT/RTV): Media-Saturn product number must be delivered with PIA segment.

**Example:**

LIN+1++5412345123453:SRV'

No	Tag	St	MaxOcc	Name
	<b>SG17</b>	M	9999	<b>LIN-PIA-IMD-QTY-DTM-SG18-SG22-SG25</b>
25	<b>PIA</b>	M	10	<b>Additional product id</b>

Tag	Name	St Format	Example	Usage / Remark
PIA			<b>PIA</b>	
4347	Product identifier code qualifier	M an..3	+1	<b>1 Additional identification</b>
C212	Item number identification	M		
7140	Item identifier	M an..35	+9334532	Product number (additional) If DESADVWS: only 18 digits are used for suppliers article number (C212.7143=SA)
7143	Item type identification code	M an..3	:BP'	<b>IN Buyer's item number</b> <b>BP Buyer's part number</b> <b>SA Supplier's article number</b>

**Remark:**

(MC): Suppliers article number (C212.7143=SA) is not necessary  
 (BM and IHT/MT/RTV): if no EAN (SG17 LIN C212.7140) or buyers article (SG17 PIA C212.7140)  
 reference is given, the suppliers article number has to be delivered.

**Example:**

PIA+1+9334532:BP'

No	Tag	St	MaxOcc	Name
	<b>SG17</b>	M	9999	LIN-PIA-IMD-QTY-DTM-SG18-SG22-SG25
26	<b>IMD</b>	D	25	Item description

Tag	Name	St Format	Example	Usage / Remark
IMD			IMD	
7077	Description format code	M an..3	+F	<b>F Free-form</b>
C273	Item description	C		
7008	Item description	M an..256	:MINI DISPLAYPRT TO HDMI CABLE 180CM	
7008	Item description	M an..256	:X'	

**Remark:**

(BM): Mandatory (product description).  
(MC and IHT/MT/RTV): Not necessary

**Example:**

IMD+F++:::MINI DISPLAYPRT TO HDMI CABLE 180CM:X'

No	Tag	St	MaxOcc	Name
	<b>SG17</b>	M	9999	LIN-PIA-IMD-QTY-DTM-SG18-SG22-SG25
27	<b>QTY</b>	M	10	Quantity

Tag	Name	St Format	Example	Usage / Remark
QTY			<b>QTY</b>	
C186	Quantity details	M		
6063	Quantity type code qualifier	M an..3	+12	<b>12 Despatch quantity</b> <b>21 Ordered quantity</b> <b>47 Invoiced quantity</b> <b>73 Outstanding quantity</b> <b>119 Short shipped</b> <b>121 Over shipped</b> <b>192 Free goods quantity</b> <b>193 Free quantity included</b>
6060	Quantity	M an..35	: 400	
6411	Measurement unit code	C an..3	: PCE '	Unit of measure (SCE)

**Remark:**

QTY+12:400'

QTY+21:3:PCE' (used for SCE)

(MC and IHT/MT/RTV): Only C186.6063 = 12 relevant.

**Example:**

QTY+12:400:PCE'

No	Tag	St	MaxOcc	Name
	<b>SG17</b>	M	9999	LIN-PIA-IMD-QTY-DTM-SG18-SG22-SG25
28	<b>DTM</b>	C	5	Date/time/period

Tag	Name	St Format	Example	Usage / Remark
DTM			DTM	
C507	Date/time/period	M		
2005	Date or time or period function code qualifier	M an..3	+128	128 Delivery date/time, last
2380	Date or time or period value	R an..35	:20120717	
2379	Date or time or period format code	R an..3	:102'	102 CCYYMMDD 203 CCYYMMDDHHMM 204 CCYYMMDDHHMMSS

**Remark:**  
(MC) Not necessary

**Example:**  
DTM+128:20120717:102'



No	Tag	St	MaxOcc	Name
	<b>SG18</b>	C	99	<b>RFF</b>
29	<b>RFF</b>	D	1	<b>Reference</b>

Tag	Name	St Format	Example	Usage / Remark
RFF			<b>RFF</b>	
C506	Reference	M		
1153	Reference code qualifier	M an..3	<b>+LI</b>	<b>LI Line item reference number</b> <b>ON Order number (buyer)</b> <b>CR Customer reference number</b> <b>ABT Customs declaration number</b> <b>CN Carrier's reference number</b>
1154	Reference identifier	M an..70	<b>:1'</b>	Line item number from Media Markt Saturn Order

**Remark:**

(BM): C506.1153 = ON: Media-Saturn's Order number is necessary at least either in the header (SG1) or at item level (SG18).

(MC and IHT/MT/RTV): Only C506.1153 (LI) necessary Within this segment the referring line item number from ORDERS message is transferred. In Fulfilment Order process and for IHT/MT/RTV this segment is mandatory.

(IHT/MT/RTV): Carrier's reference number (C506.1153=CN) is used (optional) in case of IHT, MT and RTV

(SCE): C506.1153 = ON and LI: Media-Saturn's Order number and Order position number are necessary at item level (SG18).

Only for SCE: If C506.1153 = "LI": C506.1154 Must not be longer than 6 characters.

**Example:**

RFF+LI:1'

No	Tag	St	MaxOcc	Name
	<b>SG22</b>	C	9999	<b>PCI-SG23</b>
30	<b>PCI</b>	C	1	<b>Package identification</b>

Tag	Name	St Format	Example	Usage / Remark
PCI			PCI	
4233	Marking instructions code	M an..3	+17'	<b>17 Supplier's instructions</b>

**Remark:**

Segment PCI is used in despatch advice message if serial number information has to be transferred.

**Example:**

PCI+17'

No	Tag	St	MaxOcc	Name
	<b>SG23</b>	C	10	<b>GIN</b>
31	<b>GIN</b>	M	1	<b>Goods identity number</b>

Tag	Name	St	Format	Example	Usage / Remark
GIN				<b>GIN</b>	
7405	Object identification code qualifier	M	an..3	<b>+BN</b>	<b>BN Serial number</b> <b>BX Batch number (SCE)</b>
C208	Identity number range	M			
7402	Object identifier	O	an..35	<b>+SN100</b>	
C208	Identity number range	M			
7402	Object identifier	O	an..35	<b>+SN100</b>	
C208	Identity number range	M			
7402	Object identifier	O	an..35	<b>+SN100</b>	
C208	Identity number range	M			
7402	Object identifier	O	an..35	<b>+SN100</b>	
C208	Identity number range	M			
7402	Object identifier	O	an..35	<b>+SN100</b>	

**Remark:**

Segment GIN is used in despatch advice message if serial number information referring to line item in LIN segment has to be transferred.

**Example:**

GIN+BN+SN100+SN100+SN100+SN100+SN100'

No	Tag	St	MaxOcc	Name
	<b>SG25</b>	C	10	<b>QVR</b>
32	<b>QVR</b>	D	1	<b>Quantity variances</b>

Tag	Name	St Format	Example	Usage / Remark
QVR			QVR	
C279	Quantity difference information	M		
6064	Quantity variance value	M n..15	+50	Specify the actual variance amount here (negative quantity variance since the despatched quantity < ordered quantity)
6063	Quantity type code qualifier	M an..3	:21	<b>21 Ordered quantity</b>
4221	Discrepancy nature identification code	M an..3	+IC	<b>IC Item cancelled</b> <b>RA Item rationed</b>
C960	Reason for change	M		
4295	Change reason description code	C an..3	+	
1131	Code list identification code	C an..17	:	
3055	Code list responsible agency code	D an..3	:9	<b>9 EAN (International Article Numbering association)</b>
4294	Change reason description	M an..35	:PBCK'	Required if delivery has not been shipped. Defined values (codes) are: - LCCL (=cancelation in case of PULLBACK) - PBCK (=PUSHBACK) - PBSM (=PUSHBACK - only used in selected countries) - RDPB (=products were available but non-delivery caused by push back of other items)

**Remark:**

(BM): not used

(IHT/MT/RTV): not used

(MC): Segment QVR is used if the referring order position is not shipped (discrepancy between ordered and despatched quantity).

The quantity variance value in data element 6064 is the difference between despatched quantity identified in data element 6060 of SG17-LIN-QTY+12 at line level and the ordered quantity. Due to this definition only negative values are allowed in data element 6064.

The "discrepancy nature identification code" in data element 4221 refers to so called "delivery status" information in Media-Saturn's customer order management system.

Possible values / mappings for "delivery status" are:

- SHIP (delivery has been executed) / segment QVR is not transferred
- CNCL (item is cancelled / pull back) / code of data element 4221 = IC
- PBCK (delivery request has been pushed back) / code of data element 4221 = RA

In selected countries the PUSHBACK case has two different specifications/reasons:

- PBCK (delivery request has been pushed back because there is enough book-keeping inventory but the goods are temporarily unavailable/missing stock, damaged stock)
- PBSM (delivery request has been pushed back because there is no or not enough book-keeping inventory/push back is triggered by a stock mismatch)

Within this segment the "change reason description" in data element 4294 is mandatory:

- in case of a pullback the reason is always LCCL
- in case of a pushback the reason is PBCK or PBSM for the item(s) that could not be fully delivered and RDPB for all other items

**Example:**

QVR+50:21+IC+:9:PBCK'

No	Tag	St	MaxOcc	Name
33	<b>UNT</b>	M	1	Message trailer

Tag	Name	St Format	Example	Usage / Remark
UNT			<b>UNT</b>	
0074	Number of segments in the message	M n..6	+112	
0062	Message reference number	M an..14	+ME000001'	The message reference number detailed here is equal the one specified in the UNH segment.

**Remark:****Example:**

UNT+112+ME000001'

No	Tag	St	MaxOcc	Name
34	<b>UNZ</b>	M	1	Interchange trailer

Tag	Name	St Format	Example	Usage / Remark
UNZ			<b>UNZ</b>	
0036	Interchange control count	M n..6	+5	Number of messages or functional groups within an interchange
0020	Interchange control reference	M an..14	+12345555 '	Identical to DE 0020 in UNB segment.

**Remark:**

This segment is used to provide the trailer of an interchange.

Data element 0036: If functional groups are used, this is the number of functional groups within the interchange.  
If functional groups are not used, this is the number of messages within the interchange.

**Example:**

UNZ+5+12345555 '



No	Tag	Example
	<b>SG18</b>	
29	<b>RFF</b>	<b>RFF+LI:1'</b>
	<b>SG22</b>	
30	<b>PCI</b>	<b>PCI+17'</b>
	<b>SG23</b>	
31	<b>GIN</b>	<b>GIN+BN+SN100+SN100+SN100+SN100+SN100'</b>
	<b>SG25</b>	
32	<b>QVR</b>	<b>QVR+50:21+IC+::9:PBCK'</b>
33	<b>UNT</b>	<b>UNT+112+ME000001'</b>
34	<b>UNZ</b>	<b>UNZ+5+12345555'</b>

No = Consecutive segment number